

Main Specifications

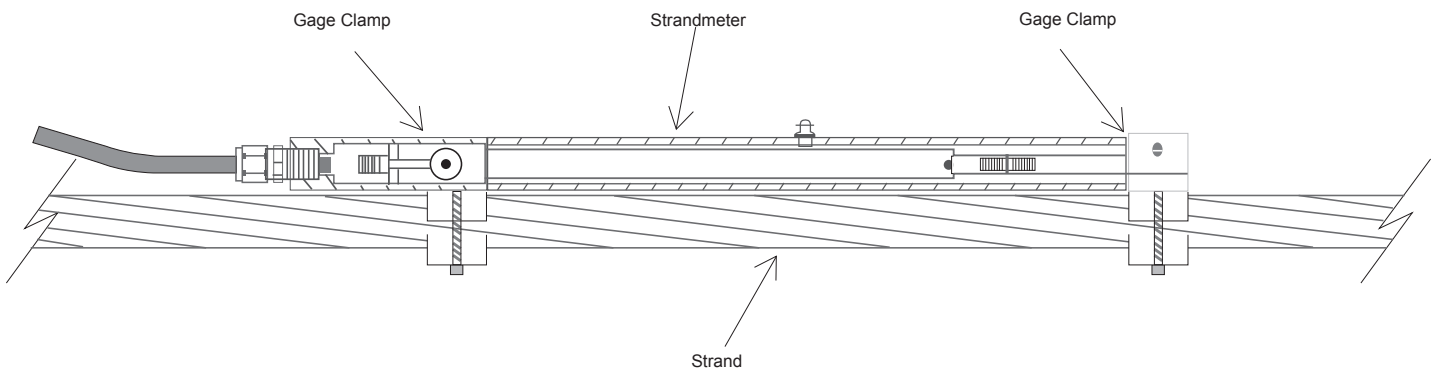
Model	CGEO-SG6
Range	20000 $\mu\epsilon$ / 50000 $\mu\epsilon$
Resolution	0.01% F.S.
Accuracy	$\pm 0.1\%$ F.S.
Temperature Range	-20 to ~ + 80 °C
Waterproof	Customized

Operation

The Model CGEO-SG6 Strandmeters are using vibrating wire displacement transducers to measure displacements across joints and cracks, in essence, the transducer consists of a vibrating wire in series with a tension spring. Displacements are accommodated by a stretching of the tension spring, which produces a commensurate increase in wire tension.

The wire and spring are connected to a free-sliding rod which protrudes from, and is free to slide inside, a protective outer tube. An O-ring seal prevents water from entering.

The frequency signal is transmitted through the cable to the readout location, conditioned, and displayed on portable readouts or dataloggers.



International Manufacturer of Geotechnical & Structural Instruments

CGEO INTERNATIONAL LIMITED
 Room 06, 13A/F, South Tower,
 World Finance Centre, Harbour City, 17
 Canton Road, Tsim Sha Tsui, Kowloon, Hong Kong.

Tel: +852 2206 0092
 Fax: +852 3003 0133
 Http: //www.cgeo-instruments.com
 Email: info@cgeo-instruments.com

CGEO INTERNATIONAL LIMITED Registered Office: Room 06, 13A/F., South Tower, World Finance Centre, Harbour City, 17 Canton Road, Tsim Sha Tsui, Kowloon, Hong Kong.